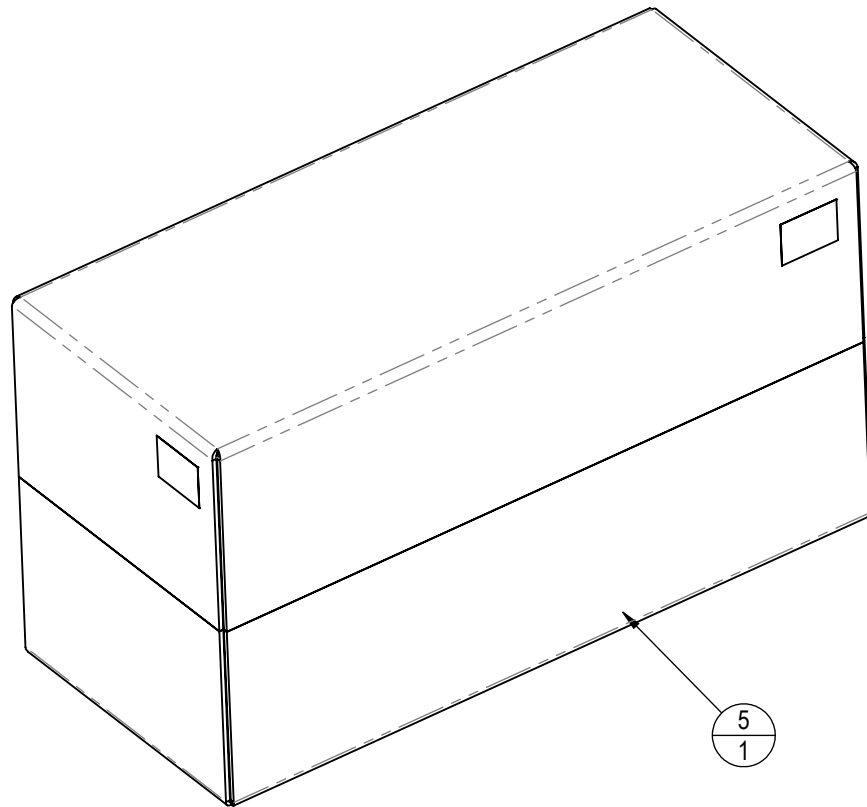


- NOTES:
- BOX SIZE
    - L = 1265mm
    - H = 550mm
    - W = 690mm
  - BOX UNIT GROSS WEIGHT: 174.2 lbs / 79 kg
  - NET WEIGHT: 123.5 lbs / 56 kg
  - LABEL INFORMATION (4 PLACES)
    - MODEL: AirFit
    - SKU: 160003
    - SERIAL NUMBER: 160003DAYMM0001
    - COUNTRY OF ORIGIN: MADE IN CHINA
  - PRIMARY SERIAL LABEL INFORMATION
    - SKU: 160003
    - SERIAL NUMBER: 160003DAYMM0001
    - MFG DATE: DAYMM
    - PHASE: N/A
    - CYCLES: N/A
    - WATTS: N/A
    - VOLTS/AMPS: N/A
    - TYPE: N/A
    - CERTIFICATIONS: CSA / CE
  - COLOR DESIGNATION PER-XX SPECIFIED IN SOP 620-8222 UNLESS OTHERWISE NOTED



REVISION HISTORY				
REV	DATE	DESCRIPTION	ECO	BY
A	9/2/2014	PRODUCTION RELEASE; REMOVED 718-5499-31; ADDED 718-5581	14772	VC
B	3/28/2016	REMOVE 000-0120 (1), 718-5497 (1); ADD 050-5457 (1) 718-5457 (1)	15180	SCN
C	7/6/2016	718-5376-XX UPDATED TO USE INSERT-MOLDED SLEEVE, 2X 110-3467 ADDED FOR USE WITH INSERT-MOLDED SLEEVE	15451	BA

ITEM NO.	PART NUMBER -XX	DESCRIPTION	QTY.	Notes
1	050-2142	LABEL, WARNING, PINCH POINT, ICON	4	
2	050-2215	LABEL, GENERAL WARNING, E-BTS	1	
3	050-2303	STICKER, Stairmaster, DECO, 45mm X 191mm	2	
4	050-2322	Logo, StairMaster, Down Tube, Tempest	2	
5	050-2325	Box, Packaging, Tempest, StairMaster	1	
6	050-5457	Label, S/N, Non-Powered, Primary, Core H&F	1	
7	410-3174	Screw, M6x1.0, 20mm, SHC, HK, GS, NKL, Gr-10-9	5	REF
8	410-3584	SCREW, M4.2, 8mm, PHT, PH, SS	6	REF
9	420-3257	WASHER, M6, TEETH, 0.6 THICK	4	REF
10	620-8243	DOC., WARRANTY, SPINNAKER, StairMaster	1	
11	620-8245	MANUAL, OWNERS, AIRFIT	1	
12	718-5376-XX -31	ASSY, SEAT, FAN, BIKE	1	
13	718-5385-XX -31	Assy, Display base, Airbike	1	
14	718-5457	SADDLE, STAIRMASTER	1	
15	718-5487-XX -35	SHROUD, CRANK RING, TURBO	2	
16	718-5489-XX -31	BASE, ASSY, FAN, BIKE	1	
17	718-5500	INSERT, SUPPORT FOOT, SM LOGO	2	
18	718-5504	ASSY, PEDAL W/ STRAP, R, TAPER, SM, AIR	1	
19	718-5505	ASSY, PEDAL W/ STRAP, L, STAIRMASTER	1	
20	718-5519-XX -37	STEP, COVER, TUBE, TURBO TRAINER	1	
21	718-5520-xx -37	RING, BEAUTY, RAIL SPACER	2	REF
22	718-5521	KIT, HARDWARE, FAN BIKE	1	
23	718-5581	Display, Air Fit, AirBike	1	
24	731-0355	WASHER, PLAIN, M8, NARROW	6	REF
25	731-5162	Screw, M8x1.25, 16mm, BHC, HK, GS, NP	6	REF
26	740-8145	BOLT, CRANKARM, M8	2	REF
27	410-3467	Screw, M4x0.7, 8mm, PHM, PH, SS	2	

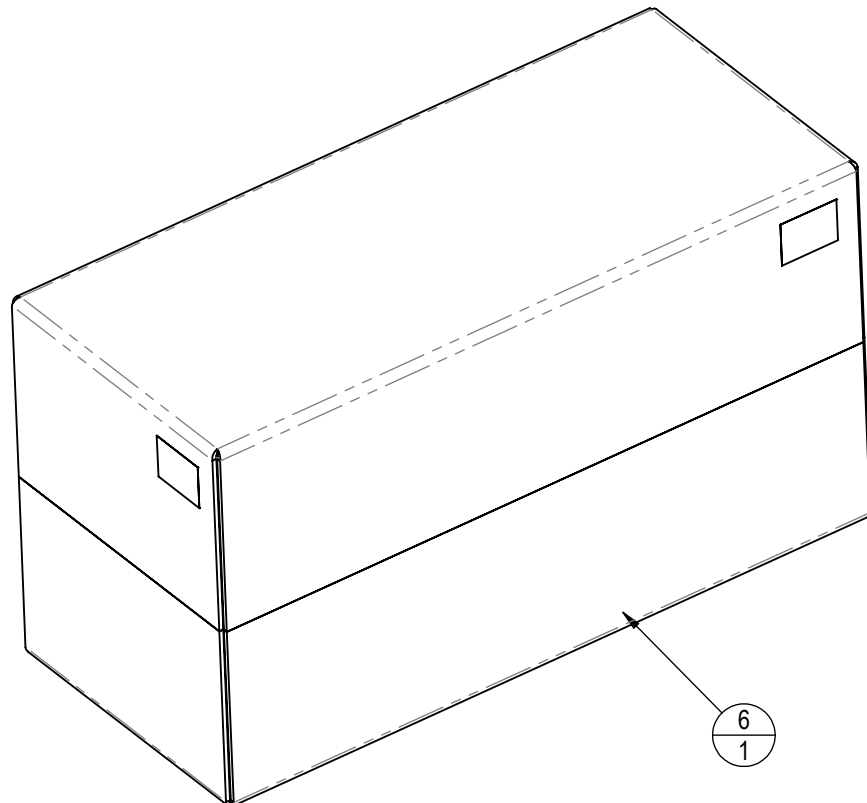
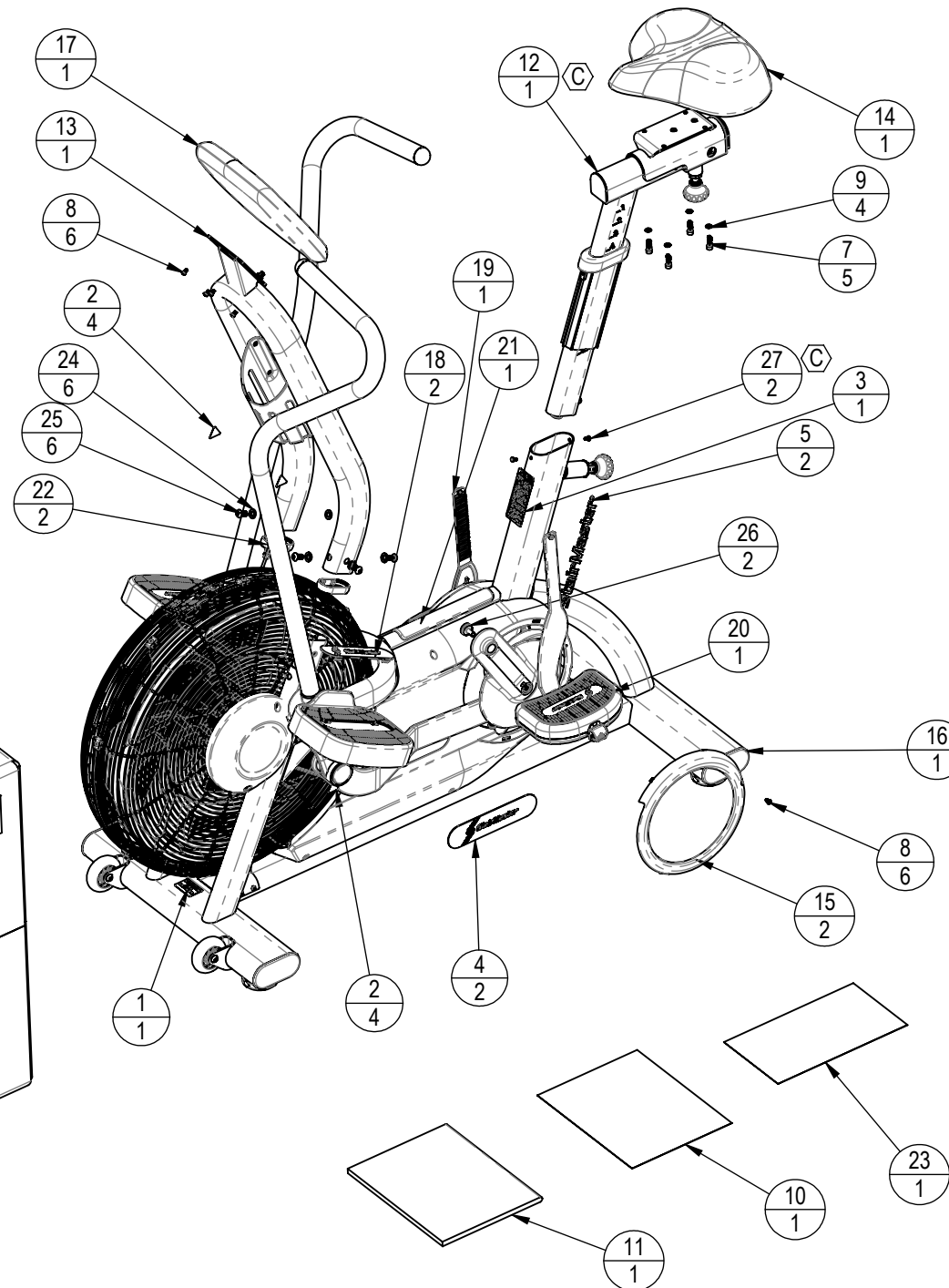
**DOCUMENT STATUS:  
ECO**

NOTICE OF PROPRIETARY INFORMATION  
THIS DOCUMENT SHALL NOT BE REPRODUCED NOR SHALL THE INFORMATION CONTAINED HEREIN BE USED BY OR DISCLOSED TO OTHER EXCEPT AS EXPRESSLY AUTHORIZED BY CORE HEALTH & FITNESS, LLC.

MATERIAL See BOM		THIRD ANGLE PROJECTION 		CORE HEALTH & FITNESS, LLC 4400 NE 77th Ave., Suite 300 Vancouver, WA 98662		
FINISH SEE BOM		DRAWN	INITIAL VC	DATE	CORE PART NO <b>160003</b>	REV <b>B.01</b>
VENDOR:		APPROVED			TITLE BIKE, AirFit, STAIRMASTER	
P/N:		U.O.M.	MM	SCALE: 1:12	SHEET 1 OF 1	SHEET SIZE: B

NOTES:  
 1. BOX SIZE  
 a. L = 1265mm  
 b. H = 550mm  
 c. W = 690mm  
 2. BOX UNIT GROSS WEIGHT: 174.2 lbs / 79 kg  
 3. NET WEIGHT: 123.5 lbs / 56 kg  
 4. LABEL INFORMATION (4 PLACES)  
 a. MODEL: SPINNAKER  
 b. SKU: 160002  
 c. SERIAL NUMBER: 160002DAYYMM0001  
 d. COUNTRY OF ORIGIN: MADE IN CHINA  
 5. PRIMARY SERIAL LABEL INFORMATION  
 a. SKU: 160002  
 b. SERIAL NUMBER: 160002DAYYMM0001  
 c. MFG DATE: DAYYMM  
 d. PHASE: N/A  
 e. CYCLES: N/A  
 f. WATTS: N/A  
 g. VOLTS/AMPS: N/A  
 h. TYPE: N/A  
 i. CERTIFICATIONS: CSA / CE  
 6. COLOR DESIGNATION PER-XX SPECIFIED IN SOP 620-8222 UNLESS OTHERWISE NOTED

REVISION HISTORY				
REV	DATE	DESCRIPTION	ECO	BY
A	12/19/2013	PRODUCTION RELEASE.	14455	VC
B	3/25/2016	Remove 718-5497 (1), 110-3580 (1); Add 718-5457 (1); CHG Qty 731-5162 Was 5 Is 6	15180	SCN
C	7/6/2016	718-5376-XX UPDATED TO USE INSERT-MOLDED SLEEVE, 2X 110-3467 ADDED FOR USE WITH INSERT-MOLDED SLEEVE	15451	BA



ITEM NO.	PART NUMBER -XX	DESCRIPTION	QTY.	NOTES
1	000-0120	STICKER, SERIAL NUMBER, ACPV2	1	
2	050-2142	LABEL, WARNING, PINCH POINT, ICON	4	
3	050-2215	LABEL, GENERAL WARNING, E-BTS	1	
4	050-2303	STICKER, Stairmaster, DECO, 45mm X 191mm	2	
5	050-2322	Logo, StairMaster, Down Tube, Tempest	2	
6	050-2325	Box, Packaging, Tempest, StairMaster	1	
7	110-3171	Screw, M6x1.0, 20mm, SHC, HK, CS, NKL, Gr-10.9	5	REF
8	110-3581	SCREW, M4.2, 8mm, PHT, PH, SS	6	REF
9	120-3257	WASHER, M6, TEETH, 0.6 THICK	4	REF
10	620-8243	DOC., WARRANTY, SPINNAKER, StairMaster	1	
11	620-8245	MANUAL, OWNERS, AIRFIT	1	
12	718-5376-XX 31	ASSY, SEAT, FAN, BIKE	1	
13	718-5385-XX 31	Assy, Display base, Airbike	1	
14	718-5457	SADDLE, STAIRMASTER	1	
15	718-5487-XX 51	SHROUD, CRANK RING, TURBO	2	
16	718-5489-XX 31	BASE, ASSY, FAN, BIKE	1	
17	718-5499-XX 31	DISPLAY, TURBO TRAINER	1	
18	718-5500	INSERT, SUPPORT FOOT, SM LOGO	2	
19	718-5504	ASSY, PEDAL W/ STRAP, R, TAPER, SM, AIR	1	
20	718-5505	ASSY, PEDAL W/ STRAP, L, STAIRMASTER	1	
21	718-5519-XX 36	STEP, COVER, TUBE, TURBO TRAINER	1	
22	718-5520-xx 44	RING, BEAUTY, RAIL SPACER	2	REF
23	718-5521	KIT, HARDWARE, FAN BIKE	1	
24	731-0355	WASHER, PLAIN, M8, NARROW	6	REF
25	731-5162	Screw, M8x1.25, 16mm, BHC, HK, CS, NP	6	REF
26	740-8145	BOLT, CRANKARM, M8	2	
27	110-3467	Screw, M4x0.7, 8mm, PHM, PH, SS	2	

**DOCUMENT STATUS:  
ECO**

NOTICE OF PROPRIETARY INFORMATION  
 THIS DOCUMENT SHALL NOT BE REPRODUCED NOR SHALL THE INFORMATION CONTAINED HEREIN BE USED BY OR DISCLOSED TO OTHER EXCEPT AS EXPRESSLY AUTHORIZED BY CORE HEALTH & FITNESS, LLC.

MATERIAL See BOM	THIRD ANGLE PROJECTION 		CORE HEALTH & FITNESS, LLC 4400 NE 77th Ave., Suite 300 Vancouver, WA 98662		
FINISH SEE BOM	DRAWN VC	DATE	CORE PART NO <b>160002</b>	REV <b>B.01</b>	TITLE BIKE, SPINNAKER, STAIRMASTER
VENDOR:	P/N:	U.O.M. MM	SCALE: 1:12	SHEET 1 OF 1	SHEET SIZE: B

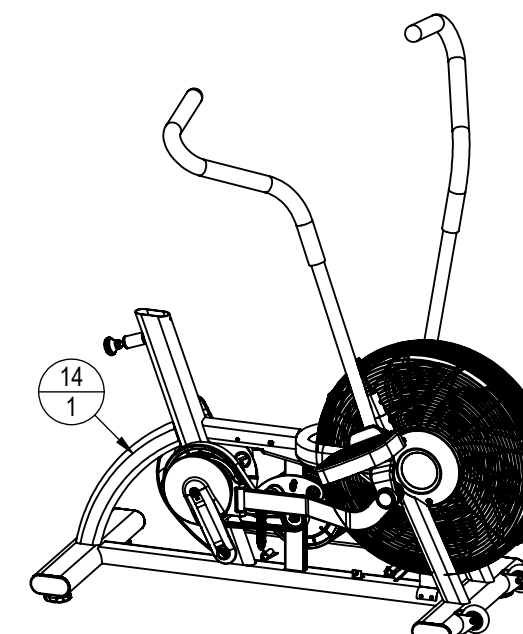
NOTES:

1. COLOR DESIGNATION PER-XX SPECIFIED IN SOP 620-8222 UNLESS OTHERWISE NOTED.

REVISION HISTORY				
REV	DATE	DESCRIPTION	ECO	BY
A	11/27/2013	PART NUMBER RELEASE	14455	VC
B	5/8/2014	DELETED: 718-5460-XX, 718-5461-XX, 718-5465-XX, 110-3584, <b>718-5387</b> , 718-5475, 718-5474, 718-5380-XX, 718-5384-XX, 718-5439-XX, 718-4445-XX, <b>110-3396</b> , 110-3580, 120-3340, <b>731-0824</b> , <b>731-0570</b> , <b>731-5810</b> , 740-4517. ADDED: <b>110-3601</b> , 110-3600, 718-5561-XX, 718-5560-XX, <b>718-5562</b> , 718-5566XX, 718-5567-XX, 730-1137, <b>130-1840</b> , 731-0379, <b>731-0373</b> , 110-3604, <b>110-3605</b> . CHANGE QTY: <b>740-7187</b> IS 10 WAS 2. <b>740-7558</b> -XX WAS <b>740-7558</b> . <b>740-7850</b> -XX WAS <b>740-7850</b> .	14667	VC

ITEM NO.	PART NUMBER	DESCRIPTION	QTY.	NOTES
1	110-3500	WASHER,M3,PLAIN	4	
(B) 2	<b>110-3600</b>	Screw, M6 X 12MM, BN3873, HSHCS	4	
(B) 3	<b>110-3601</b>	PIN, 10MM OD X 75MM, M6 BOTH ENDS	2	
(B) 4	110-3604	SCREW,4.2M X 19,BHC,PH	1	
(B) 5	<b>110-3605</b>	SCREW, 4.2M X 38MM,PH, CS	5	
6	<b>130-1811</b>	PULLEY, J6, POLY-V, Ø122.5mm BP, OFF-SET, Ø195mm	1	
7	<b>130-1812</b>	BELT, 6PK910, POLY-V	1	
8	<b>130-1814</b>	BELT, 6J460, POLY-V	1	
(B) 9	<b>130-1840</b>	Bearing, 6003-2RS, 17 ID x 35 OD x 10mm	2	
10	140-3542	KEY, PARALLEL, 5mm X 5mm X 10mm	2	
11	<b>140-3554</b>	Retaining, Round Wire, 50 OD X 2.5	2	
12	140-3555	Retaining, Round Wire, 38 OD X 2.5	2	
13	<b>718-5277</b>	NUT, AXLE, B/B, E-/S- BIKE, GEN 2	3	
14	718-5375-XX	WELDMENT, FRAME, TURBO	1	
15	<b>718-5378</b>	ASSY, BOTTOM BACKET, TURBO	1	
16	<b>718-5379</b>	ASSY, SEAT STOP PIN, AirBike	1	
17	718-5382-XX	ASS, CRANK ARM, RIGHT, TURBO	1	
18	718-5383-XX	Assy, Crank Arm, Left, AirBike	1	
19	718-5386-XX	ASSY, GRID, FAN, TURBO	1	
20	<b>718-5387</b>	ASSY, TENSIONER, MAIN, AirBike	1	
21	<b>718-5419</b>	SHAFT, TRANS, TURBO	1	
22	<b>718-5420</b>	PULLEY, K6, POLY-V, Ø60mm	1	
23	<b>718-5422</b>	SPACER, TRANS, TURBO	1	
24	718-5431	BB spacer	1	
25	718-5448-XX	COVER, AXEL, FAN, TURBO	2	
(B) 26	718-5460-XX	GUARD, FAN, LEFT, TURBO	1	
(B) 27	718-5461-XX	GUARD, FAN, RIGHT, TURBO	1	

ITEM NO.	PART NUMBER	DESCRIPTION	QTY.	NOTES
(B) 28	718-5465-XX	KIT,TENSION, GRID, FAN, TURBO	5	
29	718-5478	PLATE, FOOT SUPPORT, AIR BIKE	2	
30	<b>718-5479</b>	SUPPORT, FOOT, TURBO	2	
31	718-5485-XX	SHROUD, RIGHT, TURBO TRAINER	1	
32	718-5486-XX	SHROUD, LEFT, TURBO TRAINER	1	
33	718-5508	ADAPTER, PULLEY, TRANS, TURBO	1	
(B) 34	718-5560-XX	HANDLEBAR, UB, RIGHT, AIR BIKE	1	
(B) 35	718-5561-XX	ASSY, HANDLEBAR, UB, LEFT, AIR BIKE	1	
(B) 36	<b>718-5562</b>	<b>CABLE</b> , SENSOR, DISPLAY, AIR BIKE	1	
(B) 37	718-5566-XX	LINK, UPPER BODY, RIGHT, AIR BIKE	1	
(B) 38	718-5567-XX	LINK, UPPER BODY, LEFT, AIR BIKE	1	
(B) 39	730-1137	SCREW, M8X15, BH, SS	12	
40	<b>731-0225</b>	SCREW,M3.5 X 9.5,SELF TAPPING	4	
41	<b>731-0353</b>	SCREW,M5X0.8,12mm,BHC,HK	8	
42	<b>731-0355</b>	WASHER,PLAIN,M8,NARROW	8	
(B) 43	<b>731-0373</b>	WASHER,PLAIN,M6	12	
(B) 44	731-0379	SCREW,M8 X1.25,20mm,SHC,HK	2	REF
45	<b>731-1222</b>	WASHER, 25OD X 8.5ID X 3T	2	REF
(B) 46	<b>740-7187</b>	SCREW, M6X1.25X10, BHC, HE, SS	10	
47	<b>740-7190</b>	NUT, M12X1.25, FLANGE, HE, CS, BO	2	
48	<b>740-7553</b>	BEARING, 6005 SERIES, 25x47x12, 2RS	2	
(B) 49	<b>740-7558-XX</b>	END CAP, STABILIZER	4	
50	<b>740-7656</b>	LEVELLING FEET, SPINNER	4	
(B) 51	<b>740-7850-XX</b>	CAP, PLUG, 38mm OD	2	REF
52	<b>740-7916</b>	M5 X 16MM, DOWEL PIN	2	
53	740-8006	WHEEL, FRONT FOOT, SPINNER	2	
54	<b>740-8007</b>	BOLT, WHEEL, NXT	2	
55	<b>740-8145</b>	BOLT, CRANKARM, M8	2	



**DOCUMENT STATUS:**

NOTICE OF PROPRIETARY INFORMATION

THIS DOCUMENT SHALL NOT BE REPRODUCED NOR SHALL THE INFORMATION CONTAINED HEREIN BE USED BY OR DISCLOSED TO OTHER EXCEPT AS EXPRESSLY AUTHORIZED BY CORE HEALTH & FITNESS, LLC.

CLASS OF WORK	UNLESS OTHERWISE SPECIFIED DIMS ARE IN mm. TOLERANCES FOR MEASURE OF LENGTH ARE:								ANGLES = ±2°
	0.5 to 3	> 3 to 6	> 6 to 30	> 30 to 120	> 120 to 400	> 400 to 1000	> 1000 to 2000	> 2000	
FINE	±0.05	±0.05	±0.1	±0.15	±0.2	±0.3	±0.5	----	
MEDIUM	±0.1	±0.1	±0.2	±0.3	±0.5	±0.8	±1.2	±2	
COARSE	±0.2	±0.3	±0.5	±0.8	±1.2	±2	±3	±4	
VERY COARSE	----	±0.5	±1	±1.5	±2.5	±4	±6	±8	

MATERIAL SEE BOM

FINISH SEE NOTES

VENDOR:

P/N:

THIRD ANGLE PROJECTION



DRAWN	INITIAL VC	DATE 10/10/2013
CHECKED		
APPROVED		

**CORE HEALTH & FITNESS, LLC**  
4400 NE 77th Ave., Suite 300  
Vancouver, WA 98662

CORE PART NO **718-5489-XX** REV **B**

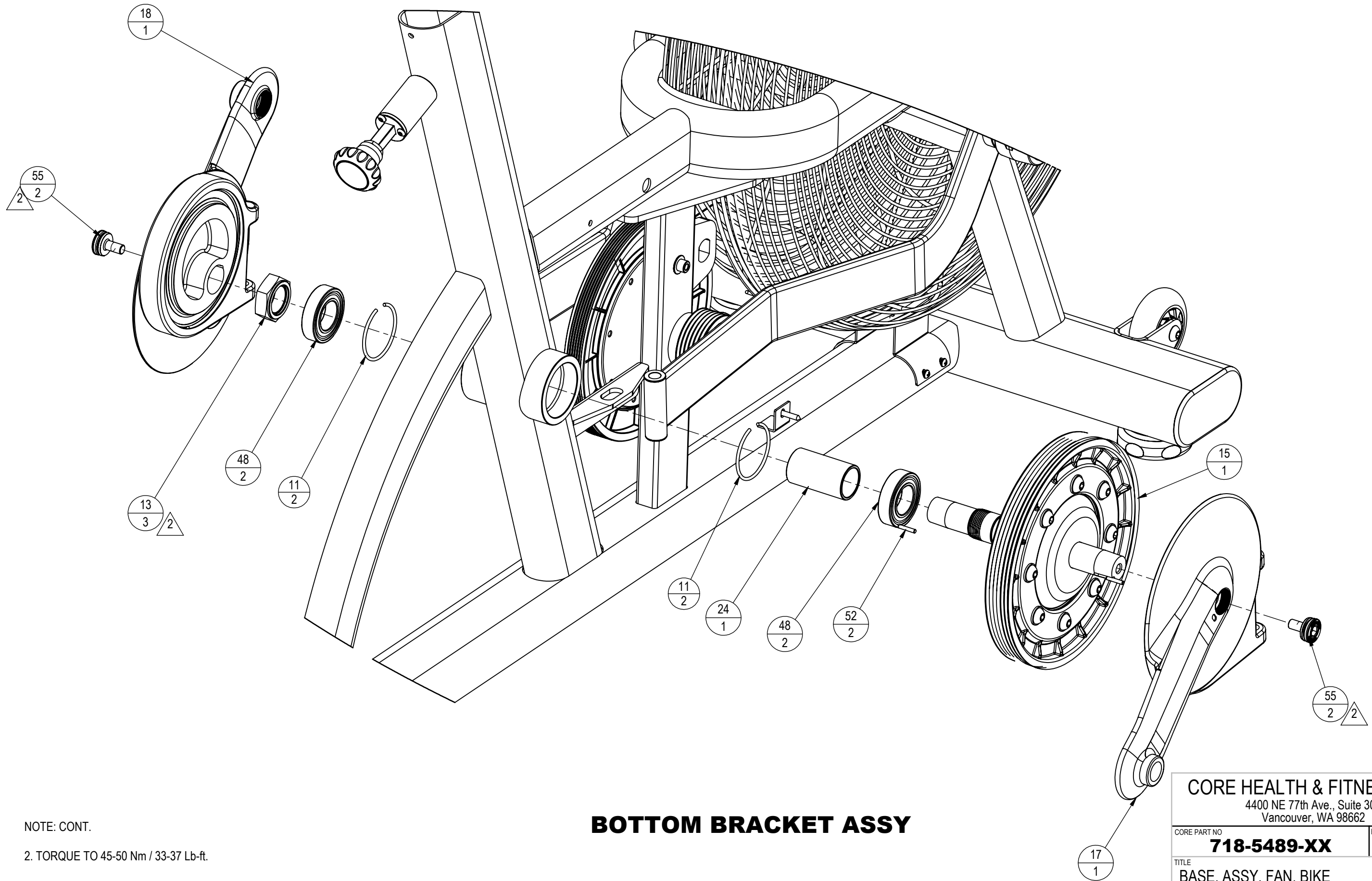
TITLE **BASE, ASSY, FAN, BIKE**

SCALE: 1:1 | SHEET 1 OF 6 | SHEET SIZE: B

9 8 7 6 5 4 3 2 1

J I H G F E D C B A

J I H G F E D C B A



NOTE: CONT.  
 2. TORQUE TO 45-50 Nm / 33-37 Lb-ft.

### BOTTOM BRACKET ASSY

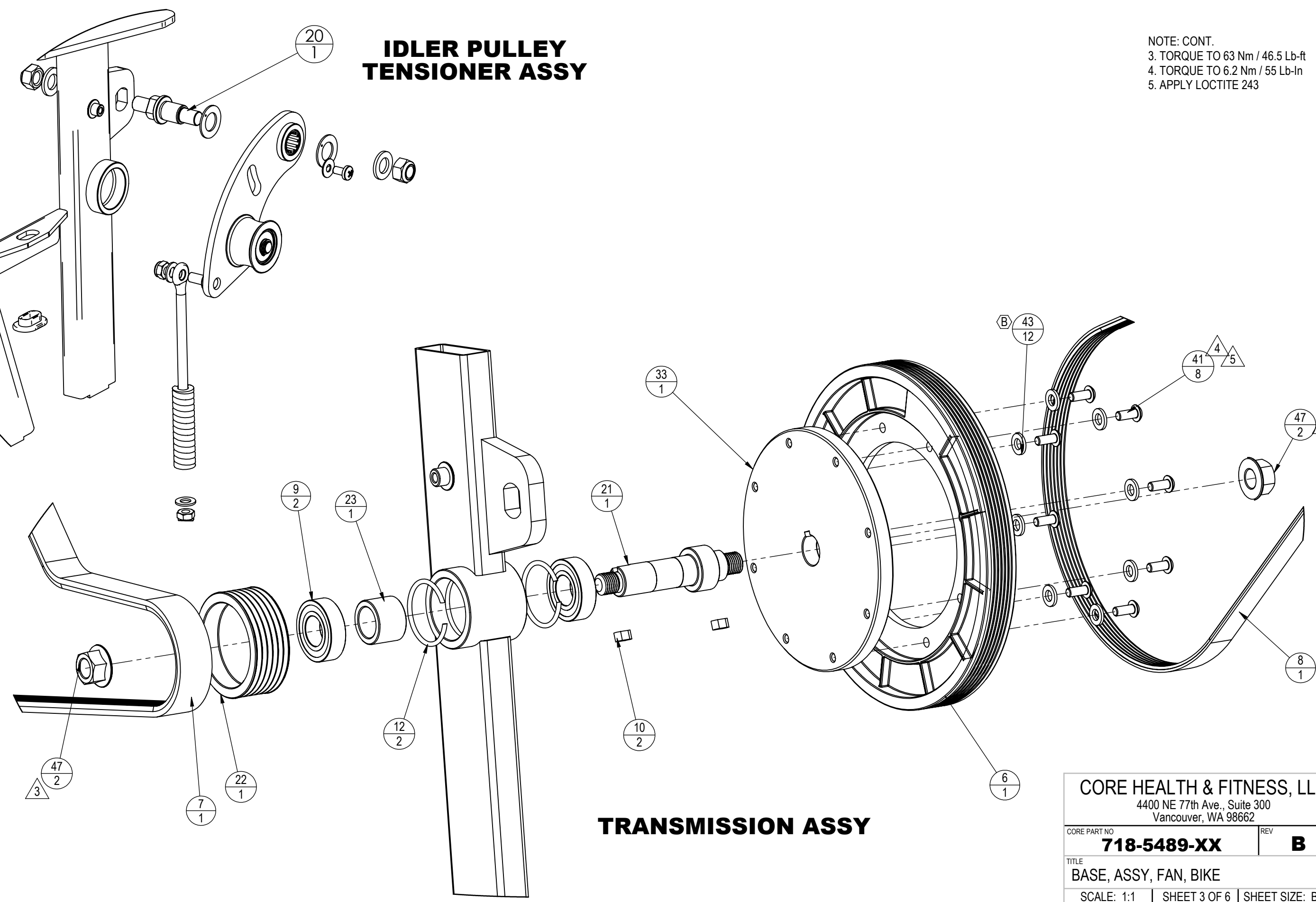
CORE HEALTH & FITNESS, LLC 4400 NE 77th Ave., Suite 300 Vancouver, WA 98662		
CORE PART NO	718-5489-XX	REV <b>B</b>
TITLE BASE, ASSY, FAN, BIKE		
SCALE: 1:1	SHEET 2 OF 6	SHEET SIZE: B

9 8 7 6 5 4 3 2 1

# IDLER PULLEY TENSIONER ASSY

NOTE: CONT.  
 3. TORQUE TO 63 Nm / 46.5 Lb-ft  
 4. TORQUE TO 6.2 Nm / 55 Lb-in  
 5. APPLY LOCTITE 243

# TRANSMISSION ASSY

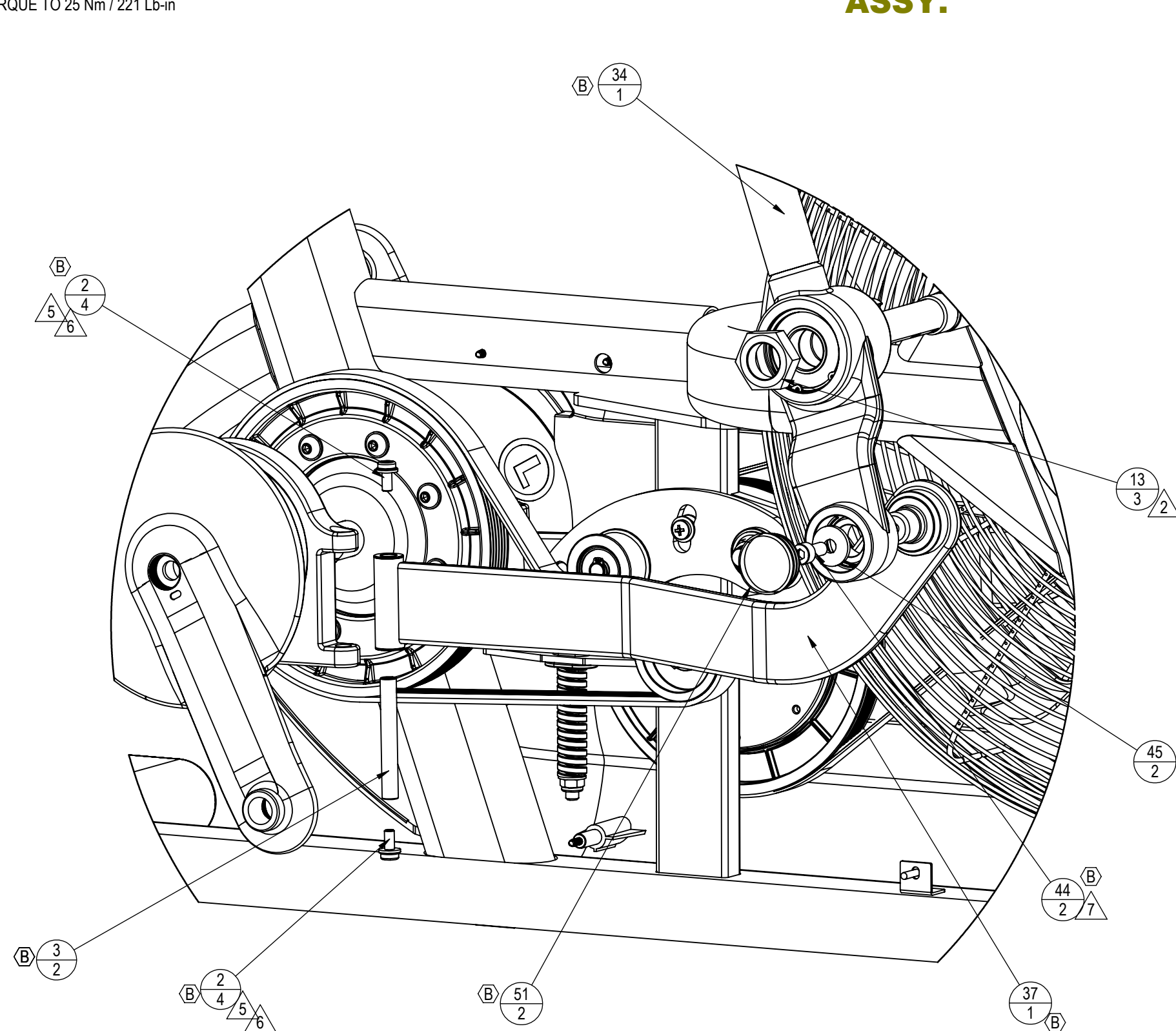


CORE HEALTH & FITNESS, LLC	
4400 NE 77th Ave., Suite 300 Vancouver, WA 98662	
CORE PART NO	REV
<b>718-5489-XX</b>	<b>B</b>
TITLE	
BASE, ASSY, FAN, BIKE	
SCALE: 1:1	SHEET 3 OF 6   SHEET SIZE: B

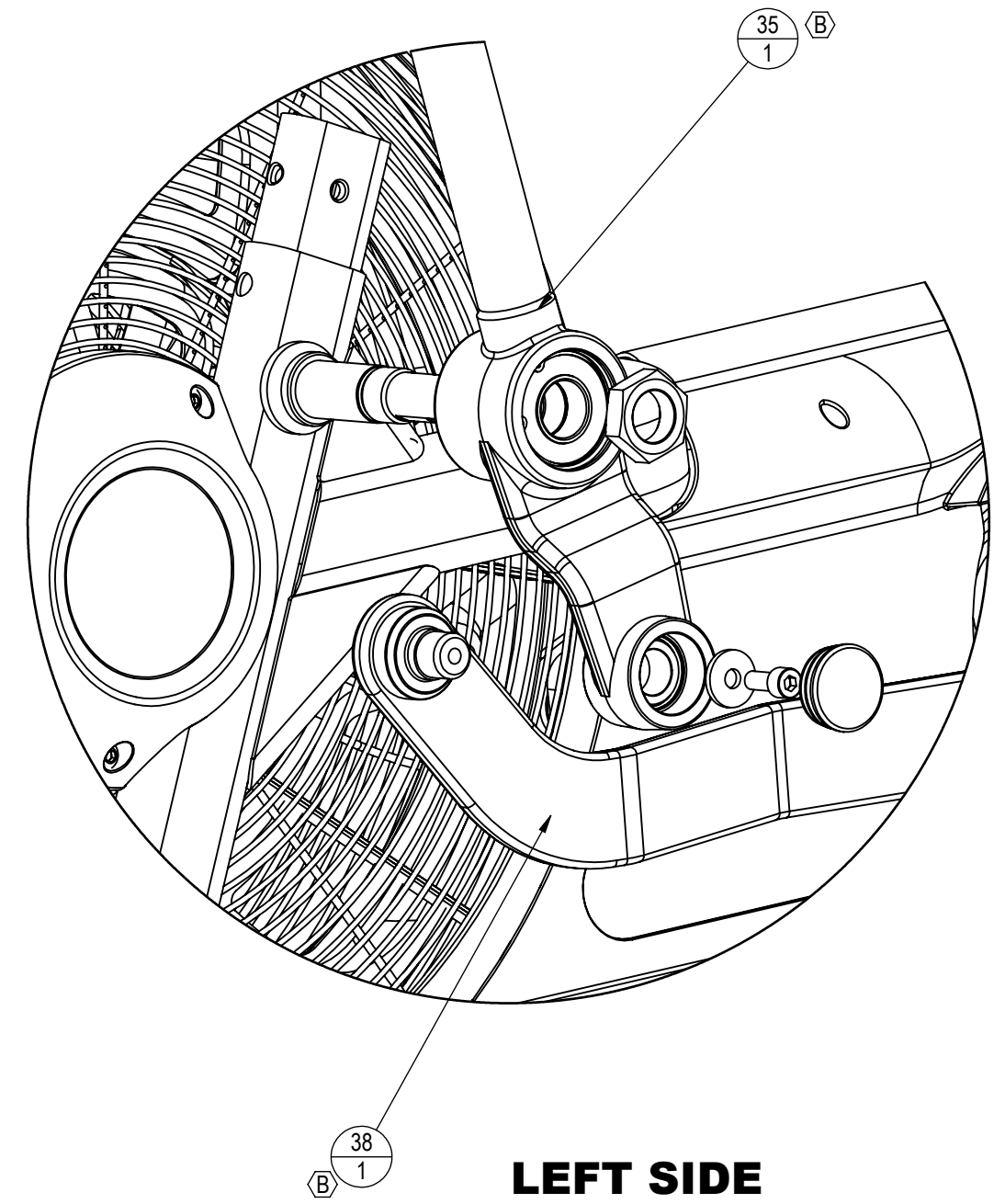
NOTE: CONT.

6. TORQUE TO 12 Nm / 106 Lb-in  
7. TORQUE TO 25 Nm / 221 Lb-in

# UPPER BODY - LINKAGE ASSY.



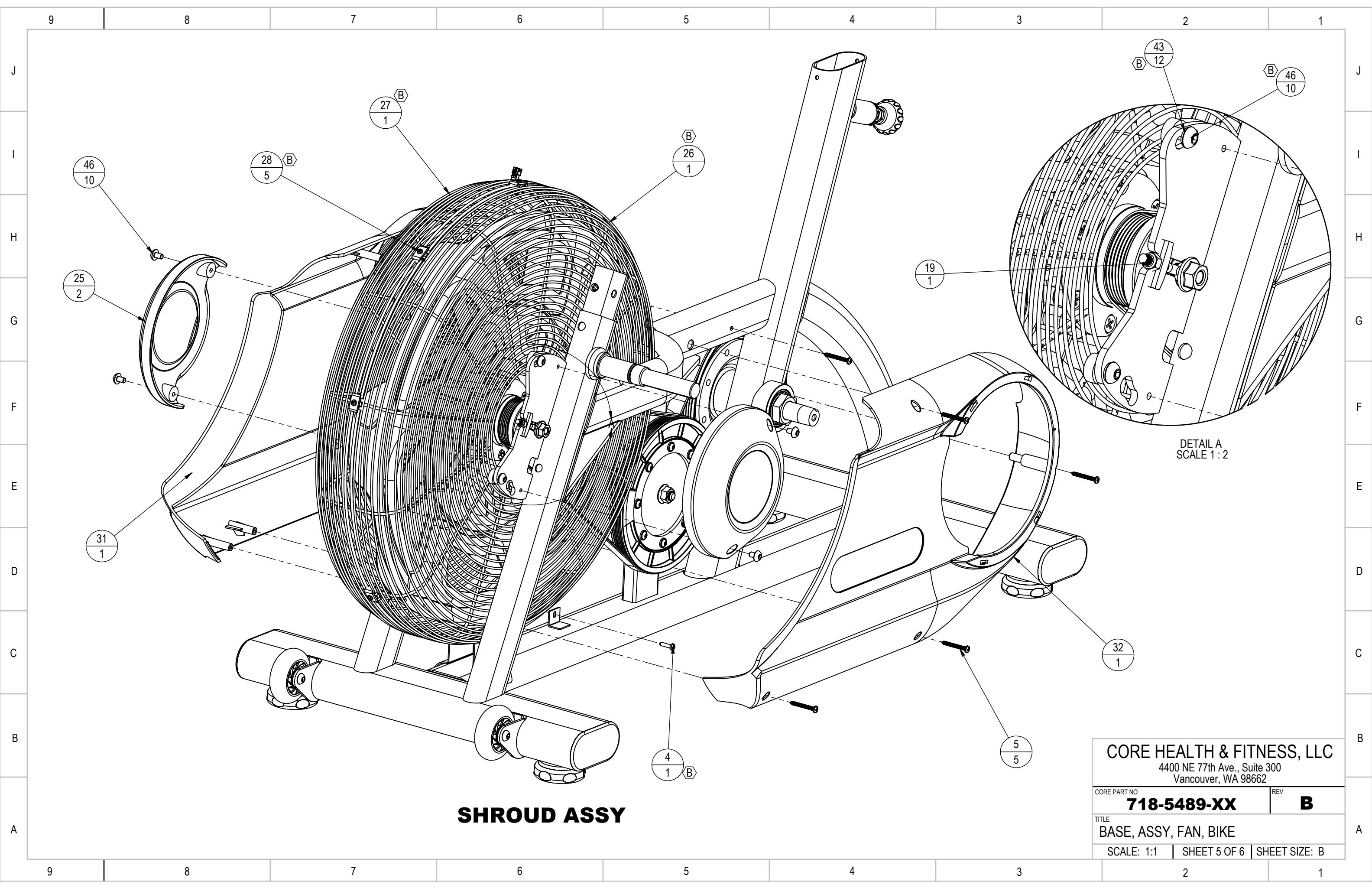
**RIGHT SIDE**



**LEFT SIDE**

CORE HEALTH & FITNESS, LLC  
4400 NE 77th Ave., Suite 300  
Vancouver, WA 98662

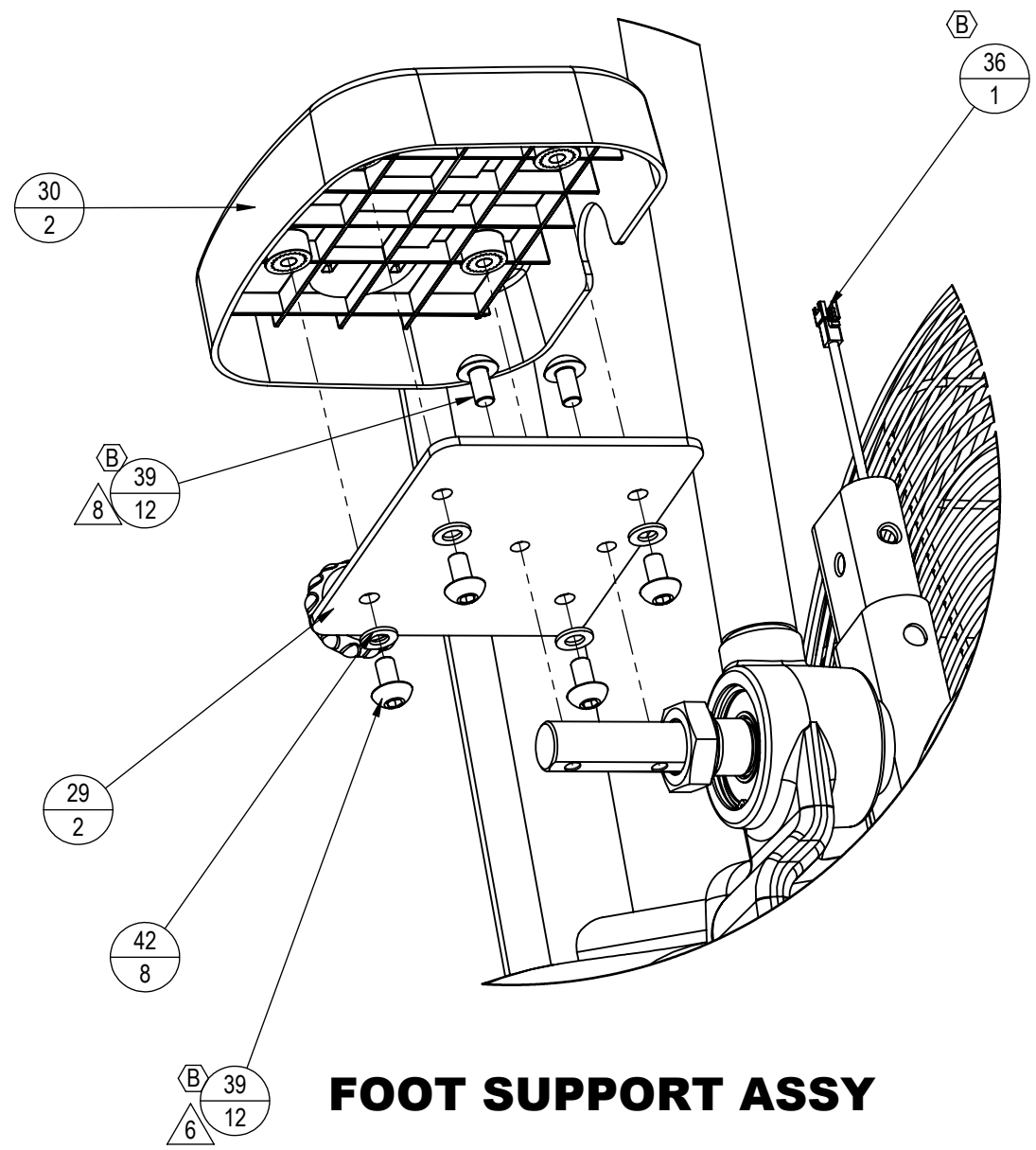
CORE PART NO	<b>718-5489-XX</b>	REV	<b>B</b>
TITLE BASE, ASSY, FAN, BIKE			
SCALE: 1:1	SHEET 4 OF 6	SHEET SIZE: B	



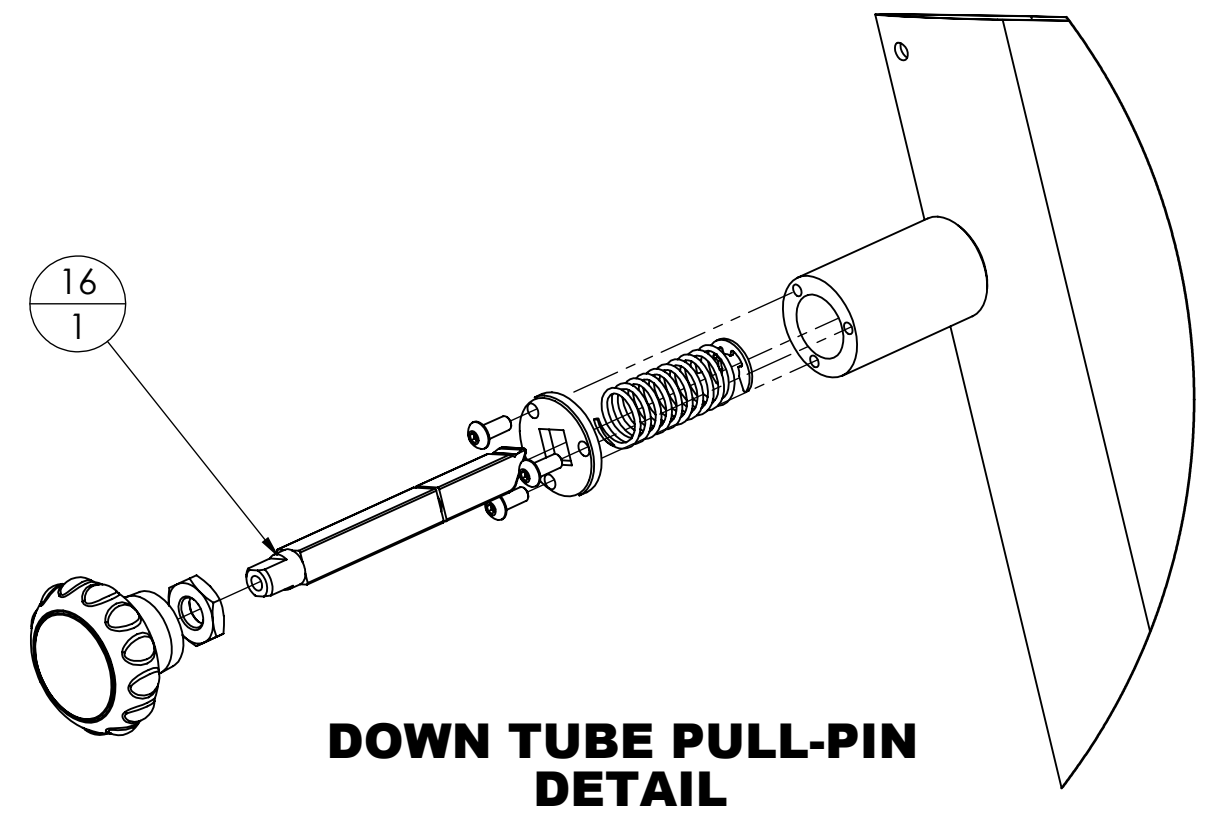
DETAIL A  
SCALE 1:2

**SHROUD ASSY**

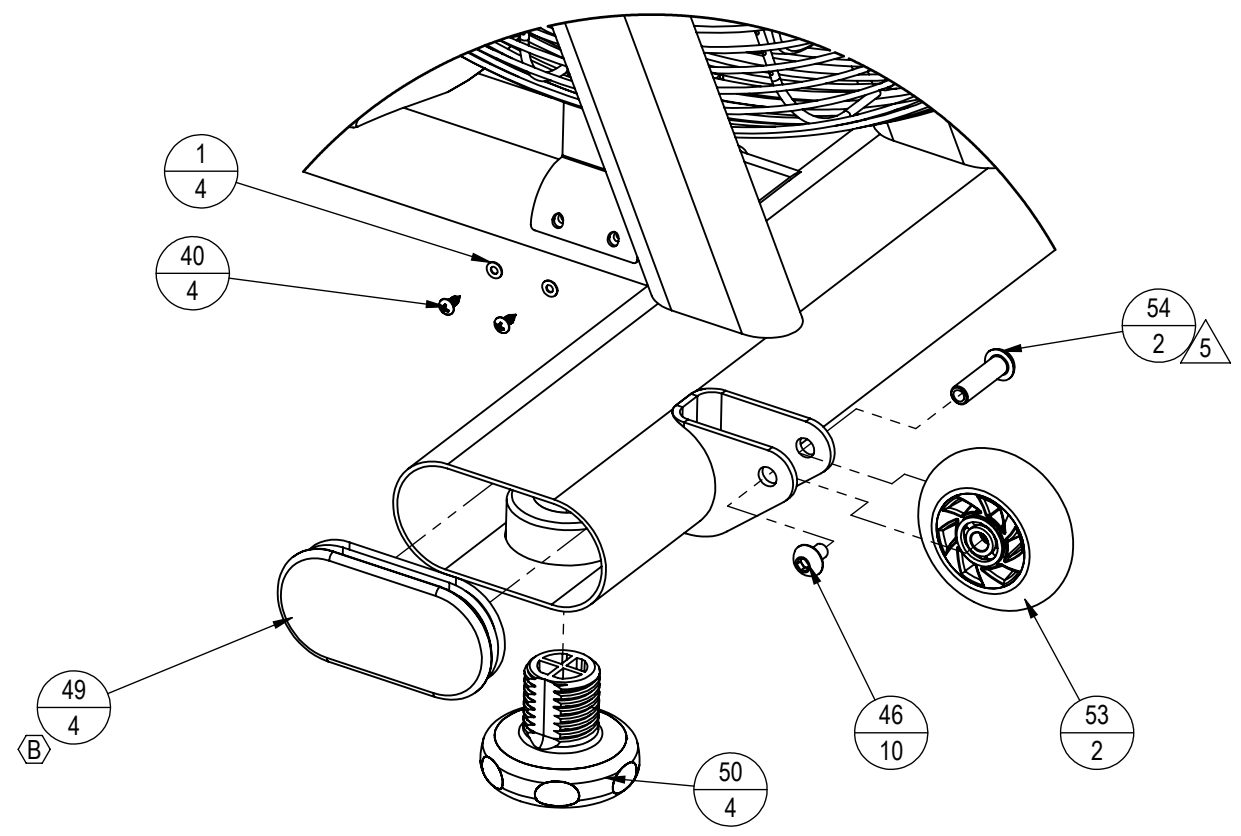
<p><b>CORE HEALTH &amp; FITNESS, LLC</b>          4400 NE 77th Ave., Suite 300          Vancouver, WA 98662</p>		
<p>CORE PART NO  <b>718-5489-XX</b></p>	<p>REV  <b>B</b></p>	
<p>TITLE  <b>BASE, ASSY, FAN, BIKE</b></p>		
<p>SCALE: 1:1</p>	<p>SHEET 5 OF 6</p>	<p>SHEET SIZE: B</p>



**FOOT SUPPORT ASSY**



**DOWN TUBE PULL-PIN  
DETAIL**



**ENDCAP, ADJ FEET, WHEELS  
DETAIL VIEW**

NOTE: CONT.  
8. TORQUE TO 17 Nm / 150 Lb-in

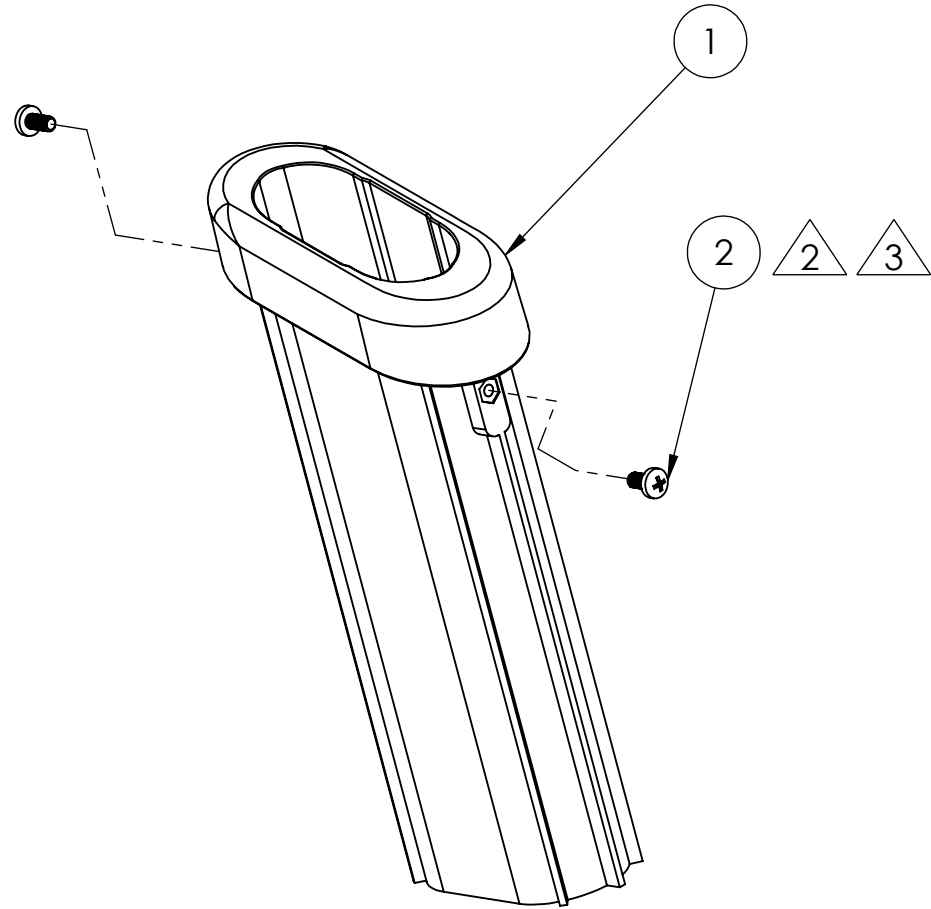
CORE HEALTH & FITNESS, LLC 4400 NE 77th Ave., Suite 300 Vancouver, WA 98662		
CORE PART NO	<b>718-5489-XX</b>	REV <b>B</b>
TITLE BASE, ASSY, FAN, BIKE		
SCALE: 1:1	SHEET 6 OF 6	SHEET SIZE: B



NOTES: (UNLESS OTHERWISE SPECIFIED)

1. ASSEMBLE ITEMS BEFORE PACKAGING.
2. INSTALL AND BOTTOM SCREWS OUT BUT DO NOT TORQUE FOR SHIPPING.
3. TORQUE TO 10 IN-LBS AT ISNTALLATION.
4. COLOR DICTATED BY SALES ORDER. SEE SOP 622-200-103 FOR PART COLOR DESIGNATOR
5. PACKAGE ITEMS IN A MANNER THAT THEY WILL NOT BE DAMAGED DURING SHIPPING/STORAGE.
6. PACKAGE KIT IN A PLASTIC BAG WITH P/N, DESCRIPTION, REVISION, PO#. ONE KIT PER BAG.
7. LABEL PACKAGE TO INCLUDE
  - a. PO NUMBER AND DATE
  - b. ASSEMBLY NUMBER
  - c. BAR CODE OF ASSEMBLY NUMBER (CODE 128)
  - d. ASSEMBLY DESCRIPTION
  - e. ASSEMBLY REVISION
  - f. WEIGHT (LBS / KGs)

REVISION HISTORY				
REV	DATE	DESCRIPTION	ECO	BY
A	7/6/2016	INITIAL RELEASE	15451	BA



ITEM NO.	PART NUMBER	DESCRIPTION	QTY.
1	718-5666	PLASTIC, SEAT SLEEVE, AIRFIT BIKE	1
2	110-3467	Screw, M4x0.7, 8mm, PHM, PH, SS	2

**DOCUMENT STATUS:  
DEVELOPMENT**

NOTICE OF PROPRIETARY INFORMATION  
THIS DOCUMENT SHALL NOT BE REPRODUCED NOR SHALL THE INFORMATION CONTAINED HEREIN BE USED BY OR DISCLOSED TO OTHER EXCEPT AS EXPRESSLY AUTHORIZED BY CORE HEALTH & FITNESS, LLC.

CLASS OF WORK	UNLESS OTHERWISE SPECIFIED DIMS ARE IN mm. TOLERANCES FOR MEASURE OF LENGTH ARE:								ANGLES = ±2°
	0.5 to 3	>3 to 6	>6 to 30	>30 to 120	>120 to 400	>400 to 1000	>1000 to 2000	>2000	
FINE	±0.05	±0.05	±0.1	±0.15	±0.2	±0.3	±0.5	----	
MEDIUM	X ±0.1	±0.1	±0.2	±0.3	±0.5	±0.8	±1.2	±2	
COARSE	±0.2	±0.3	±0.5	±0.8	±1.2	±2	±3	±4	
VERY COARSE	----	±0.5	±1	±1.5	±2.5	±4	±6	±8	

MATERIAL  
SEE BOM

FINISH  
SEE NOTES

VENDOR: \_\_\_\_\_ P/N: \_\_\_\_\_

THIRD ANGLE PROJECTION		
DRAWN	INITIAL B. ALVEY	DATE 7/6/16
CHECKED		
APPROVED		

**CORE HEALTH & FITNESS, LLC**  
4400 NE 77th Ave., Suite 300  
Vancouver, WA 98662

CORE PART NO. **718-5668-XX-KT** REV **.01**

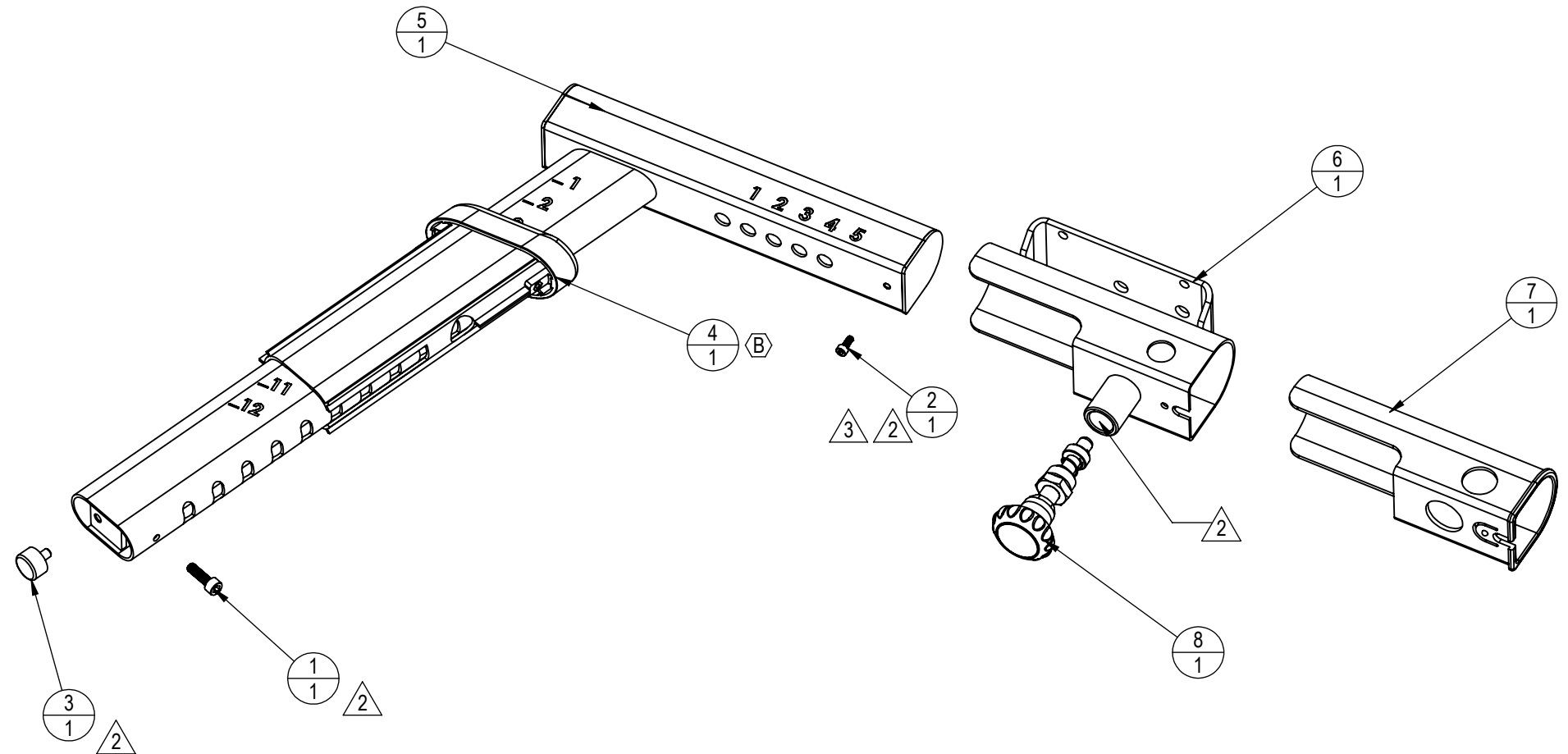
TITLE  
KIT, SEAT SLEEVE, AIRFIT BIKE, INSERT MOLDED

SCALE: 1:2 SHEET 1 OF 1 SHEET SIZE: B

NOTES:

- COLOR DESIGNATION PER-XX SPECIFIED IN SOP 620-8222 UNLESS OTHERWISE NOTED
- APPLY LOCTITE 243
- TORQUE TO 3 Nm / 26.5 Lb-in
- TORQUE TO 7Nm / 62 Lb-in

REVISION HISTORY				
REV	DATE	DESCRIPTION	ECO	BY
A	12/19/2013	PRODUCTION RELEASE	14455	VC
B	7/6/2016	718-5381-XX REPLACED WITH 718-5668-XX; UTILIZES M4 MACHINE SCREWS IN PLACE OF SELF-TAPPING SCREWS (INSERT MOLDED FOR INCREASED LONGEVITY)	15451	BA



ITEM NO.	PART NUMBER	DESCRIPTION	QTY.
1	110-3171	Screw, M6x1.0, 20mm, SHC, HK, CS, NKL, Gr-10.9	1
2	110-3357	Screw, M4x0.7, 10mm, SHC, HK, AS, ECB, NP	1
3	140-3240	BUMPER, 3/4x7/16x8-32, RUBBER	1
4	718-5668-XX	SEAT SLEEVE, AIRFIT BIKE, INSERT MOLDED	1
5	718-5404	WELDMENT, SEAT POST, TURBO	1
6	718-5409	WELDMENT, SEAT BASE, TURBO	1
7	718-5413	INSERT, SEAT, SLIDER, TURBO	1
8	718-5497	ASSY, POP PIN, TURBO	1

**DOCUMENT STATUS:  
ECO**

NOTICE OF PROPRIETARY INFORMATION  
THIS DOCUMENT SHALL NOT BE REPRODUCED NOR SHALL THE INFORMATION CONTAINED HEREIN BE USED BY OR DISCLOSED TO OTHER EXCEPT AS EXPRESSLY AUTHORIZED BY CORE HEALTH & FITNESS, LLC.

CLASS OF WORK	UNLESS OTHERWISE SPECIFIED DIMS ARE IN mm. TOLERANCES FOR MEASURE OF LENGTH ARE:							ANGLES = ±2°		
	0.5 to 3	>3 to 6	>6 to 30	>30 to 120	>120 to 400	>400 to 1000	>1000 to 2000	>2000		
FINE	±0.05	±0.05	±0.1	±0.15	±0.2	±0.3	±0.5	----		
MEDIUM	±0.1	±0.1	±0.2	±0.3	±0.5	±0.8	±1.2	±2		
COARSE	±0.2	±0.3	±0.5	±0.8	±1.2	±2	±3	±4		
VERY COARSE	----	±0.5	±1	±1.5	±2.5	±4	±6	±8		

MATERIAL  
SEE NOTES

FINISH

VENDOR: \_\_\_\_\_ P/N: \_\_\_\_\_

THIRD ANGLE PROJECTION		
DRAWN	INITIAL	DATE
CHECKED		
APPROVED		
	U.O.M.	MM

**CORE HEALTH & FITNESS, LLC**  
4400 NE 77th Ave., Suite 300  
Vancouver, WA 98662

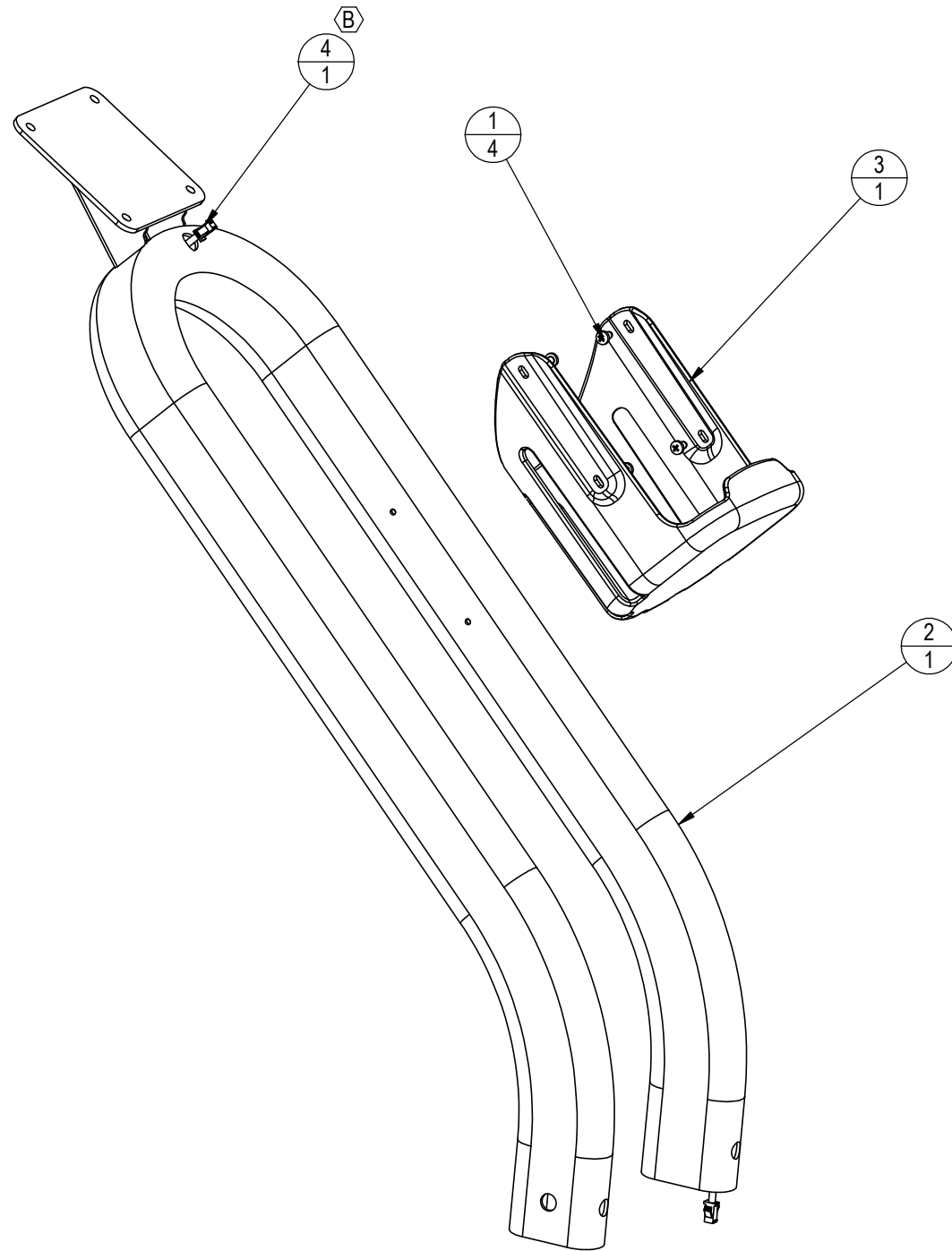
CORE PART NO: **718-5376-XX** REV: **A.01**

TITLE: **ASSY, SEAT, FAN, BIKE**

SCALE: 1:10 SHEET 1 OF 1 SHEET SIZE: B

NOTES:  
 1. COLOR DESIGNATION PER-XX SPECIFIED IN SOP 620-8222 UNLESS OTHERWISE NOTED

REVISION HISTORY				
REV	DATE	DESCRIPTION	ECO	BY
A	12/19/2013	PRODUCTION RELEASE	14455	VC
B	5/9/2014	ADDED 718-5563	14667	VC



ITEM NO.	PART NUMBER	DESCRIPTION	QTY.
1	110-3581	SCREW, 4.2M X 8, BHC, PH	4
2	718-5455-XX	ASSY, WELD, DISPLAY, TURBO	1
3	718-5495	Holder, Water bottle, turbo	1
4	718-5563	CABLE, NECK, DISPLAY, AIR BIKE	1

**DOCUMENT STATUS:**

NOTICE OF PROPRIETARY INFORMATION  
 THIS DOCUMENT SHALL NOT BE REPRODUCED NOR SHALL THE INFORMATION CONTAINED HEREIN BE USED BY OR DISCLOSED TO OTHER EXCEPT AS EXPRESSLY AUTHORIZED BY CORE HEALTH & FITNESS, LLC.

CLASS OF WORK	UNLESS OTHERWISE SPECIFIED DIMS ARE IN mm. TOLERANCES FOR MEASURE OF LENGTH ARE:							ANGLES = ±2°
	0.5 to 3	> 3 to 6	> 6 to 30	> 30 to 120	> 120 to 400	> 400 to 1000	> 1000 to 2000	
FINE	±0.05	±0.05	±0.1	±0.15	±0.2	±0.3	±0.5	----
MEDIUM <b>X</b>	±0.1	±0.1	±0.2	±0.3	±0.5	±0.8	±1.2	±2
COARSE	±0.2	±0.3	±0.5	±0.8	±1.2	±2	±3	±4
VERY COARSE	----	±0.5	±1	±1.5	±2.5	±4	±6	±8

<b>MATERIAL</b>	
<b>FINISH</b>	
VENDOR:	P/N:

THIRD ANGLE PROJECTION		
	INITIAL	DATE
DRAWN	VC	
CHECKED		
APPROVED		
	U.O.M.	MM

<b>CORE HEALTH &amp; FITNESS, LLC</b> 4400 NE 77th Ave., Suite 300 Vancouver, WA 98662		
CORE PART NO	REV	
<b>718-5385-XX</b>	<b>B</b>	
TITLE <b>Assy, Display base, Airbike</b>		
SCALE: 1:20	SHEET 1 OF 1	SHEET SIZE: B